



# Christmas-tree Ornaments (Snowman)



Cut out the parts, and then carefully follow the assembly instructions.

**Tools & Materials**

- Scissors, utility knife
- Glue stick and wood glue
- Ruler or set square
- Pencil
- Object with pointed tip (dried-up ballpoint pen, stencil pen, etc.)
- Toothpicks
- Tweezers

**Tips for Assembly**

- Keep track of which part is which by writing each part's number in pencil on the back of the part.
- Use a dried-up ballpoint pen, stencil pen, or other pointed object and a ruler to score along the fold lines. This will create sharper, neater folds.
- Before gluing, fold and crease along the fold lines and add curves where needed.
- Use a toothpick when applying glue. Thinly applied glue gives a neater finish.
- Use tweezers when picking up and attaching small parts.

**Caution**

- This paper craft uses scissors, utility knives, glue, and other items and materials which may be dangerous to children. Keep these items and materials out of reach of children while you work.
- Take care not to injure yourself when using scissors, utility knives, and other sharp or pointed objects.

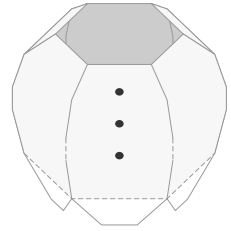
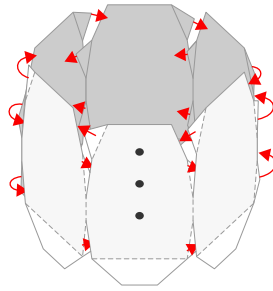
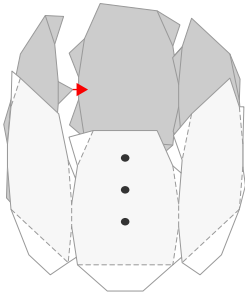
**Symbols and Notation**

- Pattern
- Assembly instructions
- (1), (2), (3)... Part numbers
- Mountain fold line (dotted line)
- Valley fold line (dotted & dashed line)
- Cut line (solid line)
- Partial cut line (solid red line)
- Cut-out area
- Apply glue (red arrow)
- Insert (blue arrow) (Do not apply glue)
- Add curves
- Dots on glue tabs show where and how to glue parts together.
  - Glue tab (red dot) Glue one part to another part
  - Glue tab (green dot) Glue one place to another on the same part
  - Glue tab (blue dot) Glue one part to the reverse of another part
  - Glue tab (yellow dot) Glue the reverse of two parts together



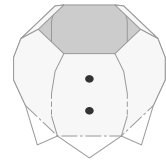
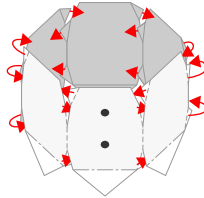
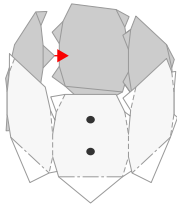
1

[1]



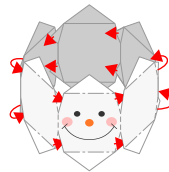
2

[2]



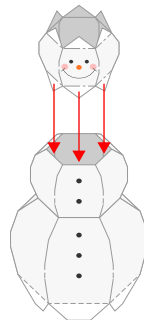
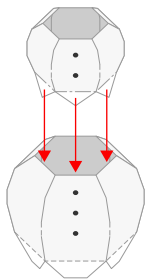
3

[3]




4

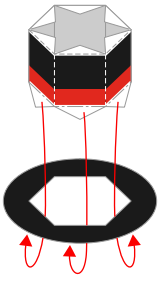
[4]

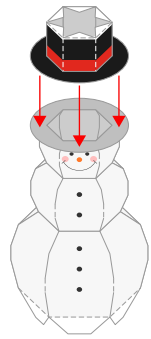




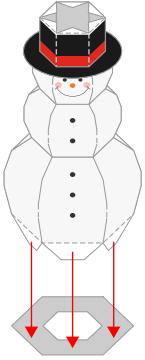
**5**


[5] 


[6] 

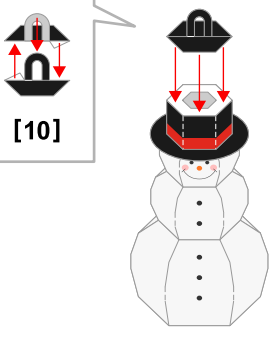


**6**

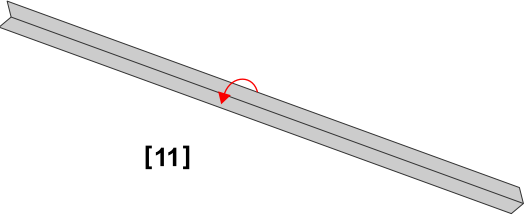
[7] 

[8] 

[9] 

[10] 

**7**

[11] 



**8**

